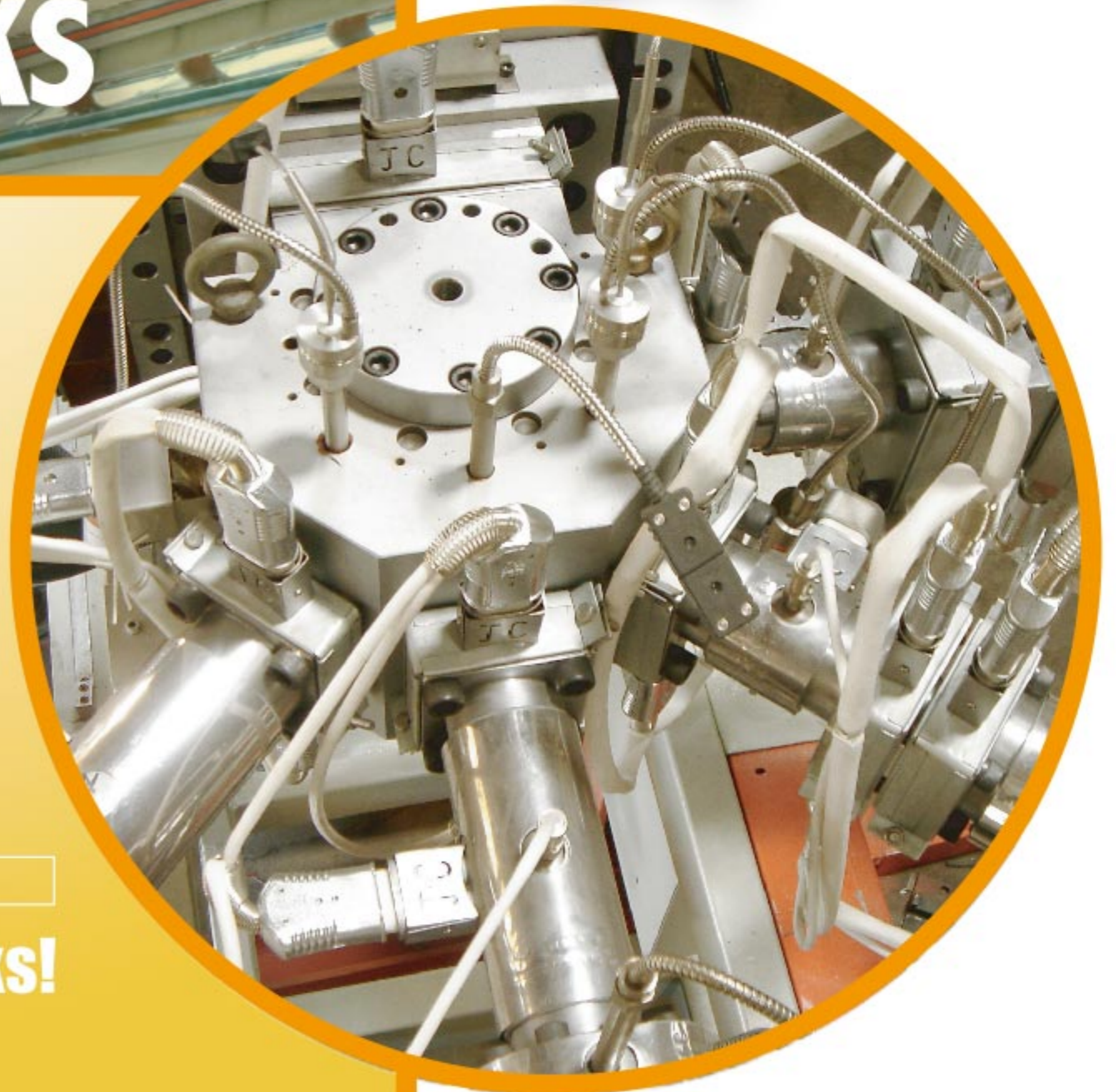




# FEEDBLOCK

## COEXTRUSION FEEDBLOCKS



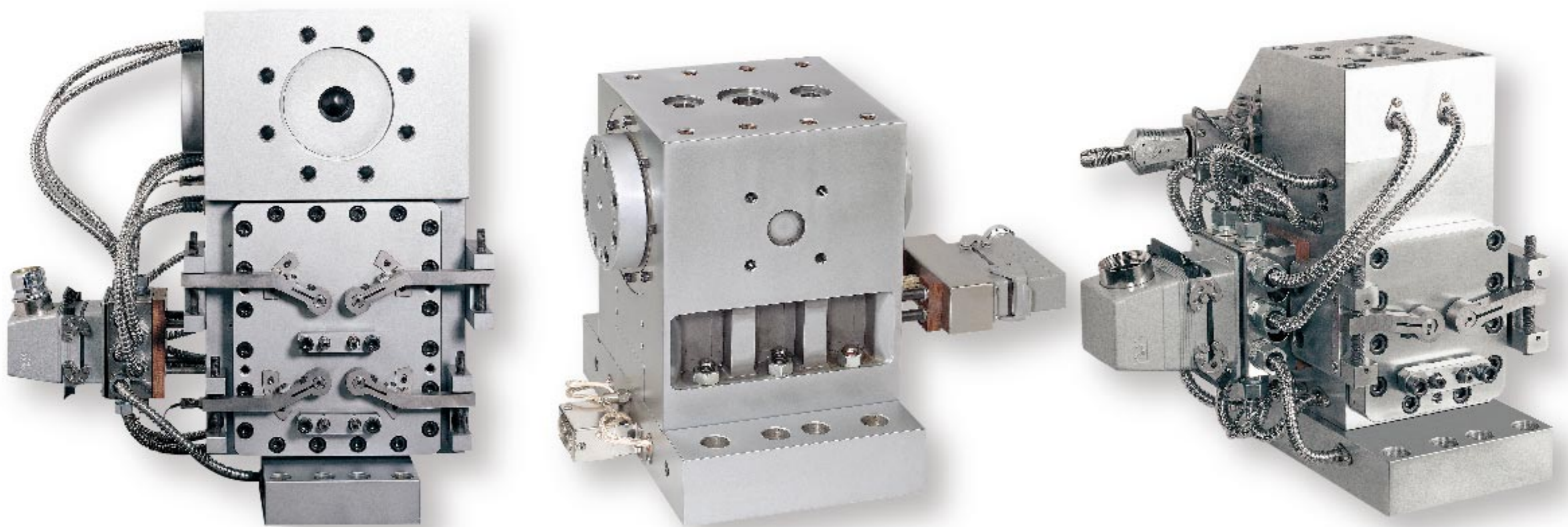
Your Best Value Of  
Co-extruding Feedblocks!



GMA

Designed and Engineered to Boost Your Co-extrusion Productivity and Quality.

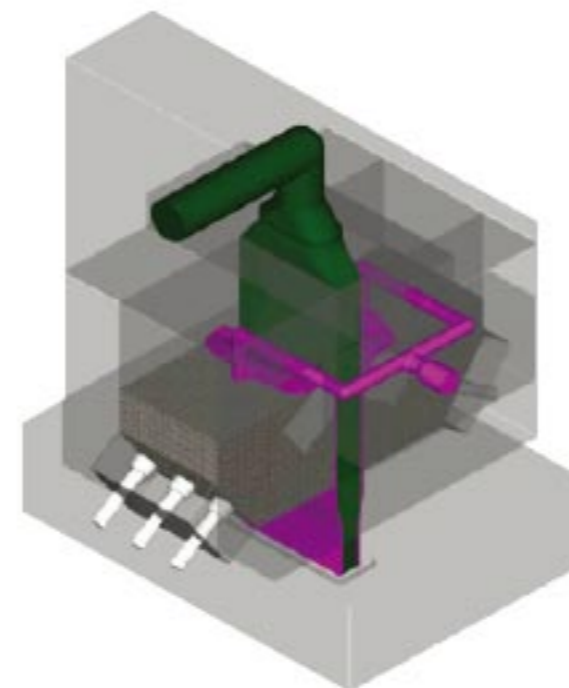
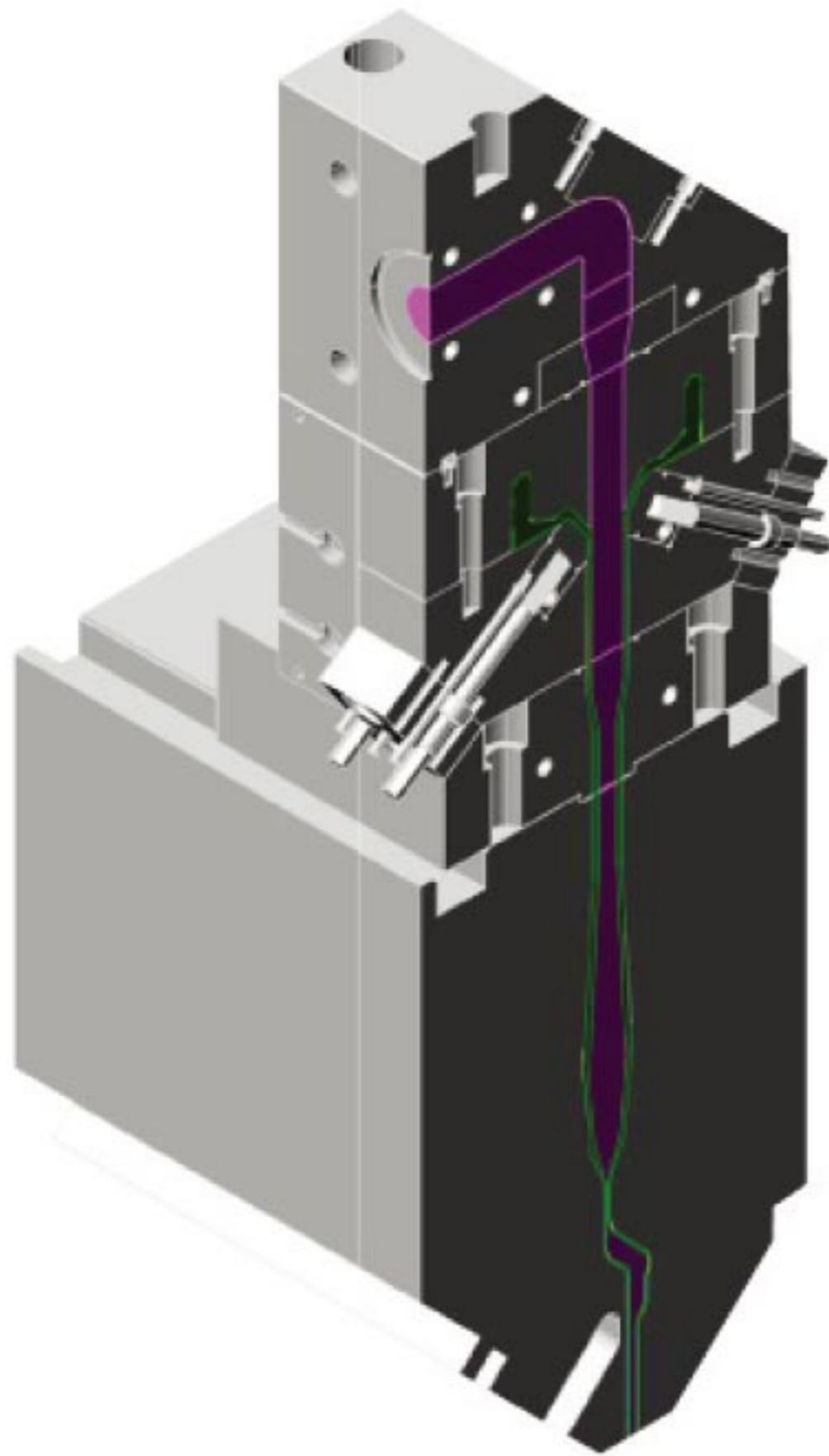
**GMA FEEDBLOCKS** are suitable for various polymer plastic materials. Currently GMA feedblocks have over 100 layers configuration. A wide variety of models provide the most flexible choice to meet specific customer requirements. The specially designed manifolds combined with computer simulation techniques create the perfect condition for quality co-extruding performance. A perfect combination of multi-manifold die and co-extrusion feedblock provides the most competitive edge for film and sheet production.



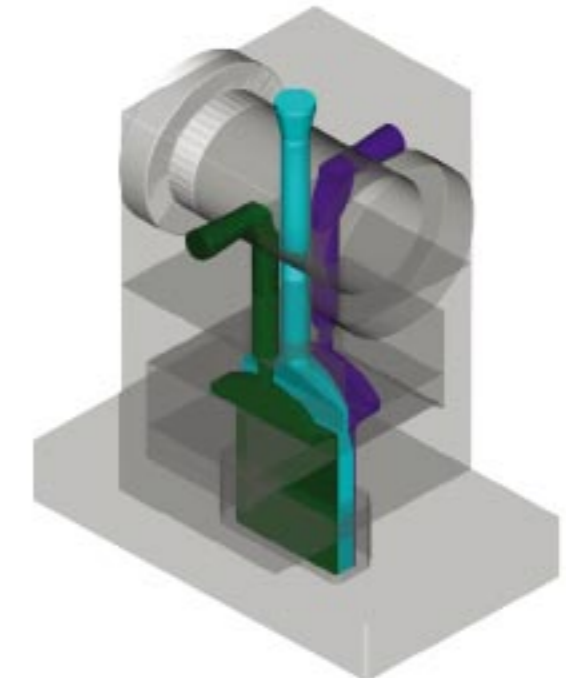
### FEATURES:

- Manufacture from high carbon steel for deformation-free and high precision.
- Split body design for easy cleaning and dismantling.
- Streamlined flow surfaces with smoothness treatment to eliminate gel formation.
- Modular layer configuration for efficient changing. For example, change for ABC to ABCBA is accomplished quickly in only 20 minutes.
- Accurate valve gate design provides easy control for layer ratio.

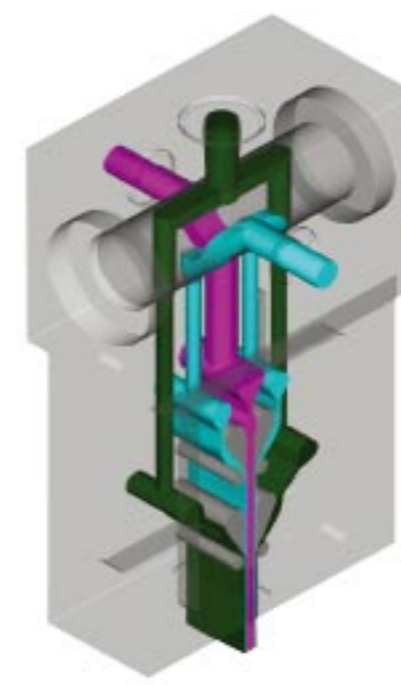
## FEEDBLOCKS TYPE :



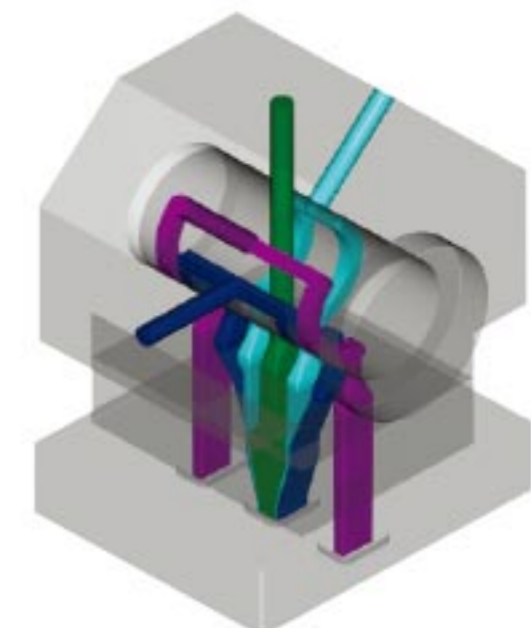
JYFBR2



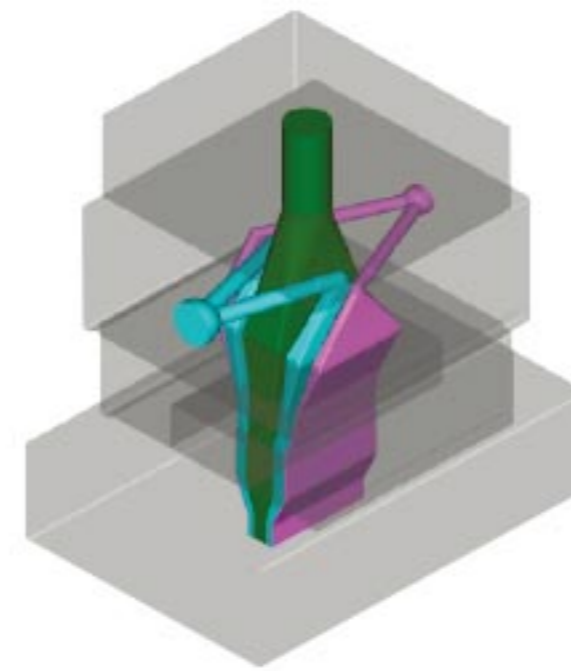
JYFBA6



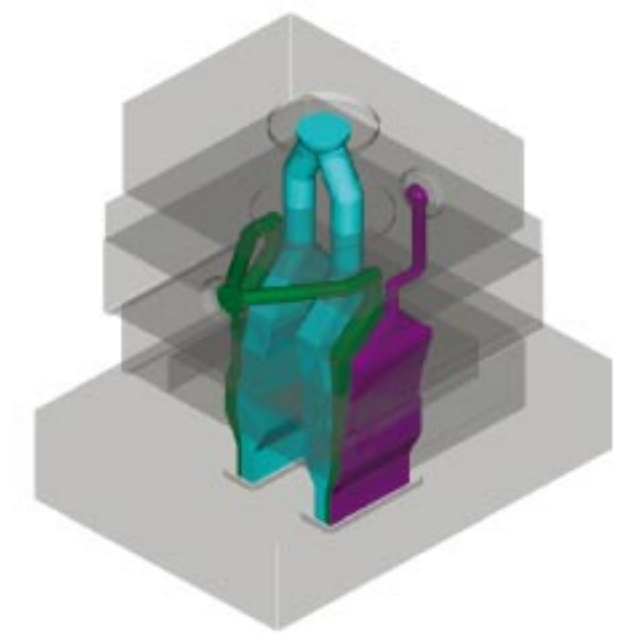
JYFBC8



JYFBA10



JYFBO12



JYFBO16

### Multi-Layer Coextrusion System

The co extrusion system is designed for the production of Multi-layer sheets and thermoforming sheets and is installed upstream from the slot die. The melt streams coming from the extruders enter a guide piece and are then fed to the co extrusion block via a manifold block with interchangeable channel pack. By the interchange of the channel packs, the combination of the layer in the film composite can be changed. In the co extrusion block, the individual layers are applied on the central later, and the melt is then fed to the sheet die-head via an adaptor.

Your Co-extrusion Productivity and Quality.

AUTO/MANUAL DIE

SCREEN CHANGER

GEAR PUMP

FEED BLOCK

STATIC MIXER

AIR KNIFE

SOFT AIR BOX

**FEEDBLOCK**

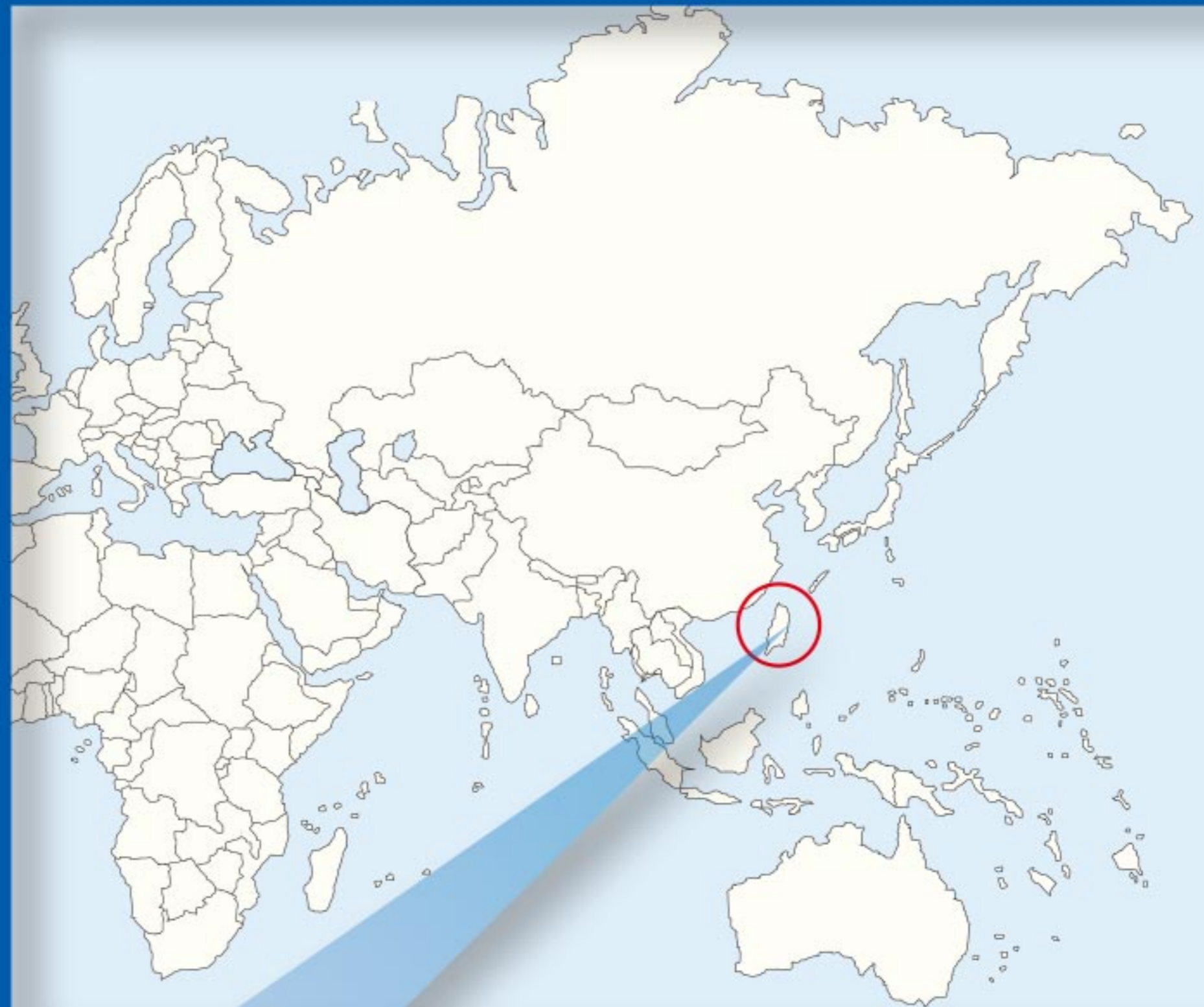
Taichung

**TAIWAN**

# GMA

## PRODUCT RANGE

Based on a diversified technological background, GMA has design and manufactured a wide variety of products. Each one will fully meet rigorous customer requirements.



**GMA MACHINERY ENTERPRISE CO., LTD.**

TEL: + 886-4-26303228

FAX: + 886-4-26303208

No. 28, Lane 362, Sec. 2 Yung Hsing Rd., Wu Chi Chen, Taichung, Taiwan.

E-mail: [glonical@ms67.hinet.net](mailto:glonical@ms67.hinet.net)

<http://www.gma.com.tw>