



# AIR KNIFE / SOFT AIR BOX / VACUUM BOX



# AIR KNIFE / SOFT AIR BOX / VACUUM BOX

**Air Knife: Modular Constructed Aluminum Alloy.  
Maximum Uniformity of Air Flow.**





## **AIR KNIFE**

---

*The air knife is designed to hold the film on the roller surface by means of a uniform and stable air flow. It also squeezes air out that is generated by the casting roller.*

### **FEATURES :**

- The body is manufactured from aluminium alloy, is easy to clean and is corrosion resistant.
- Built-in stopper plate ensures uniform air flow.
- Adjustable drill bit provides gap adjustment for air flow across the knife surface.
- Air nozzles on the entire surface with flow control valves.



**AIR KNIFE:  
Modular Constructed  
Aluminium Alloy.  
Maximum Uniformity  
of Air Flow.**



# BOX / VACUUM BOX

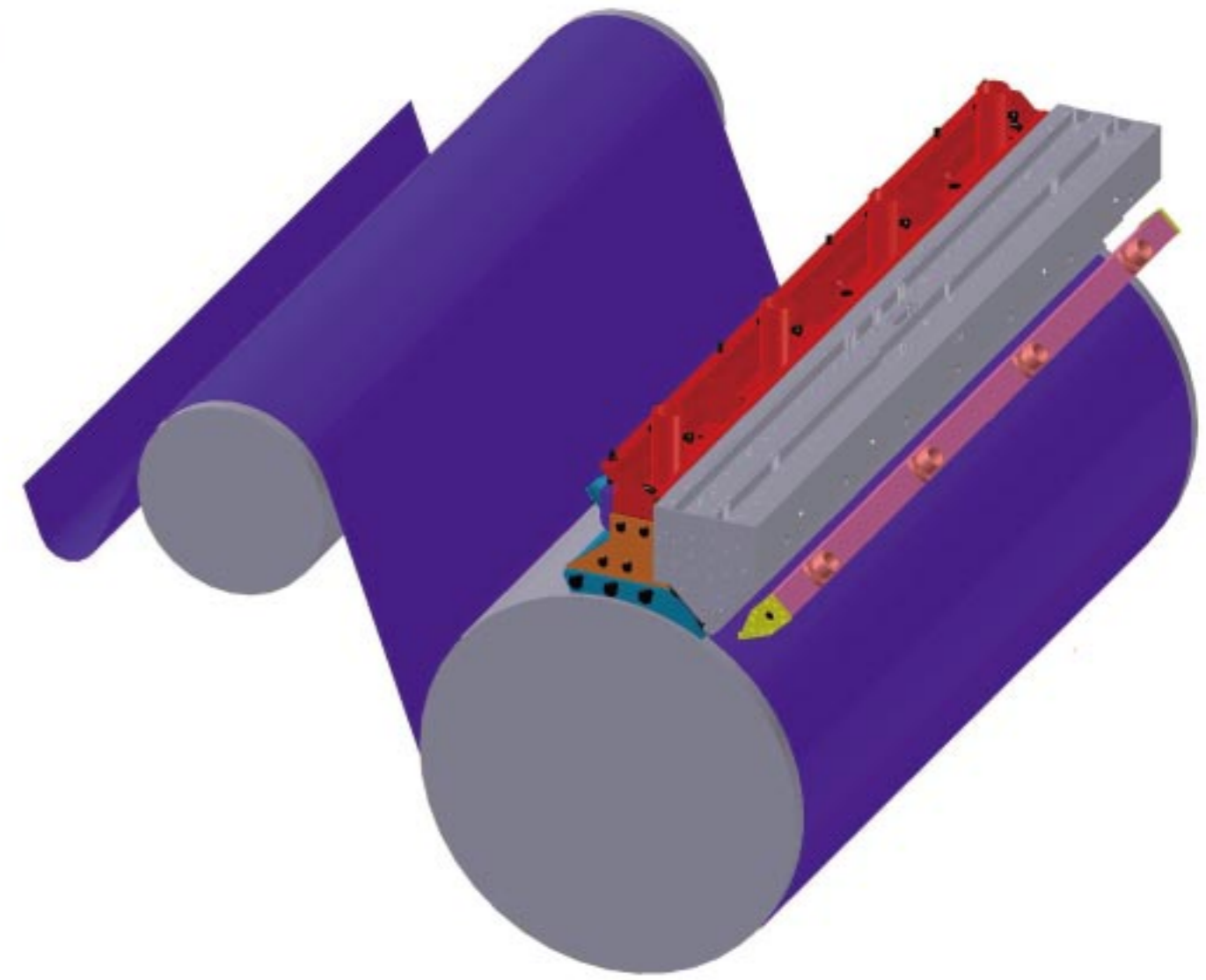
## VACUUM BOX

---

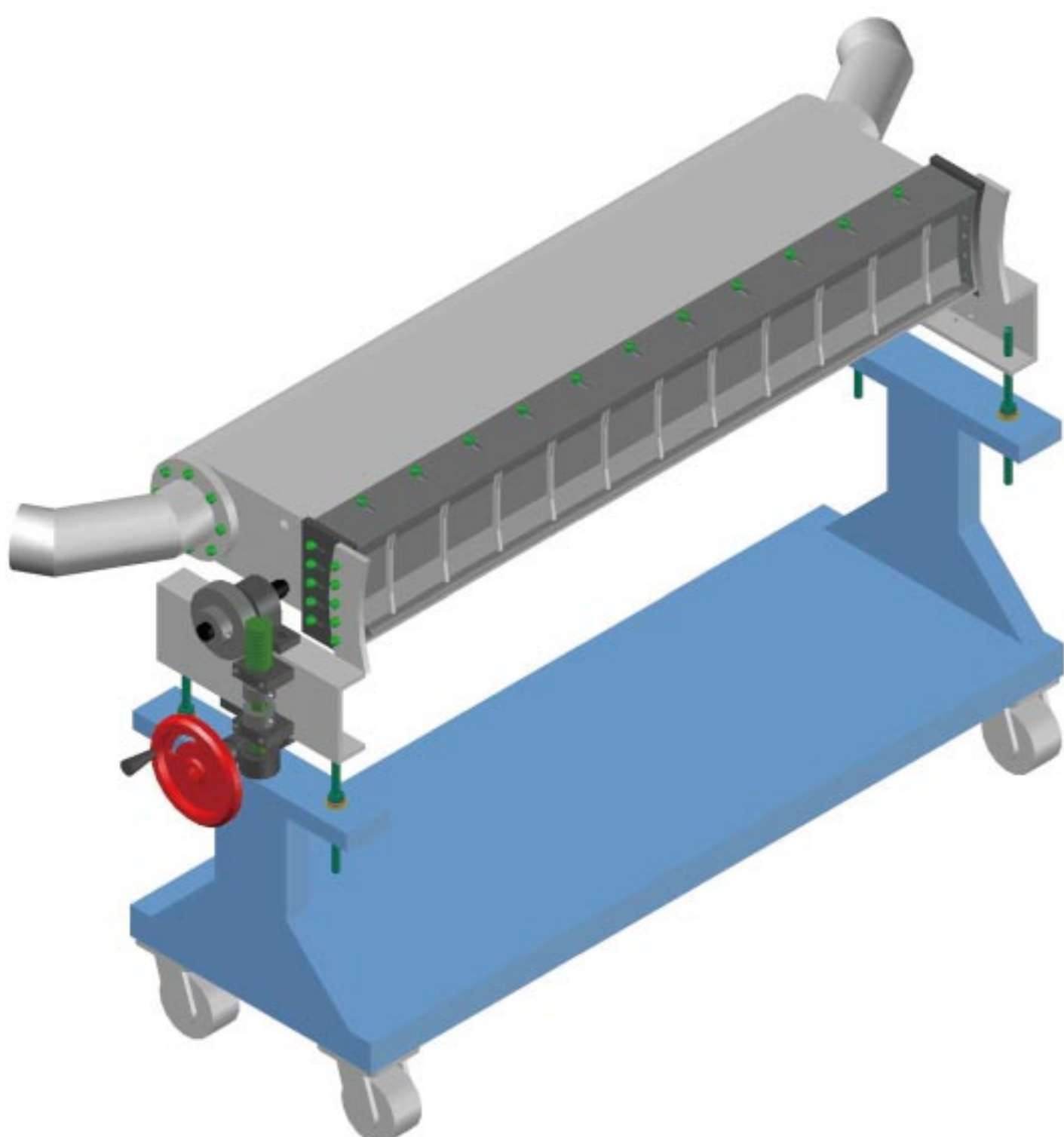
*The vacuum box and soft air box improve film holding performance on the roller and also film orientation. They are a necessity for high speed film processing.*

### FEATURES :

- The pre-vacuum chamber sucks air on the casting roller surface which reduces the gap between the molten polymer and the chill roller.
- The vacuum chamber, with high vacuumity, provides maximum stability for the film forming area, reduces air generation and strengthens film edges.
- Stainless steel construction throughout.
- Modular vacuum chamber construction provides easy cleaning and maintenance.
- Fast installation and small space required.
- The gap between the die and the vacuum chamber is coated for insulation.
- Adjustable knife is provided in the vacuum tank.
- Various knife sets and materials to choose.



## SOFT AIR BOX / VACUUM BOX : Especially Ideal for High Speed Film Processing Machines.



## SOFT AIR BOX

---

### FEATURES :

- Multi-layer air outlet ensures stable film running on roller while high speed processing.
- Suitable for PET film which requires temperature control.
- A necessity for those who require smooth film surfaces.



**Screen Changer**

**Gear Pump**

**Feed Block**

**Static Mixer**

**Air Knife**

**Soft Air Box**

**Vacuum Box**

**AIR KNIFE / SOFT AIR BOX  
/ VACUUM BOX**

Taichung

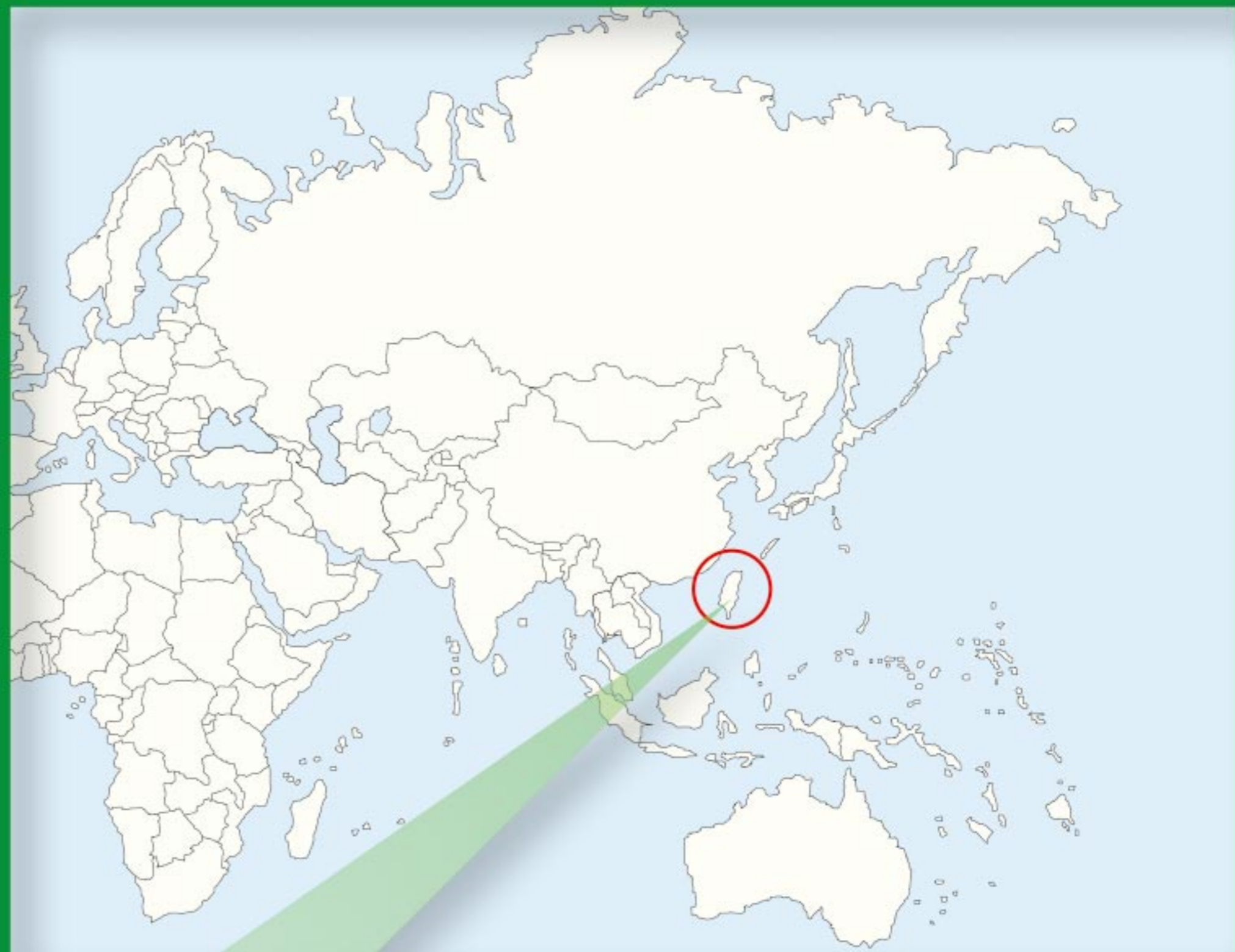


**TAIWAN**

# GMA

**PRODUCT RANGE**

Based on a diversified technological background, GMA has design and manufactured a wide variety of products. Each one will fully meet rigorous customer requirements.



GMA

**GMA MACHINERY ENTERPRISE CO., LTD.**

TEL: + 886-4-26303228

FAX: + 886-4-26303208

No. 28, Lane 362, Sec. 2 Yung Hsing Rd., Wu Chi Dist. Taichung, 435 Taiwan.

E-mail: [glonical@ms67.hinet.net](mailto:glonical@ms67.hinet.net)

<http://www.gma.com.tw>