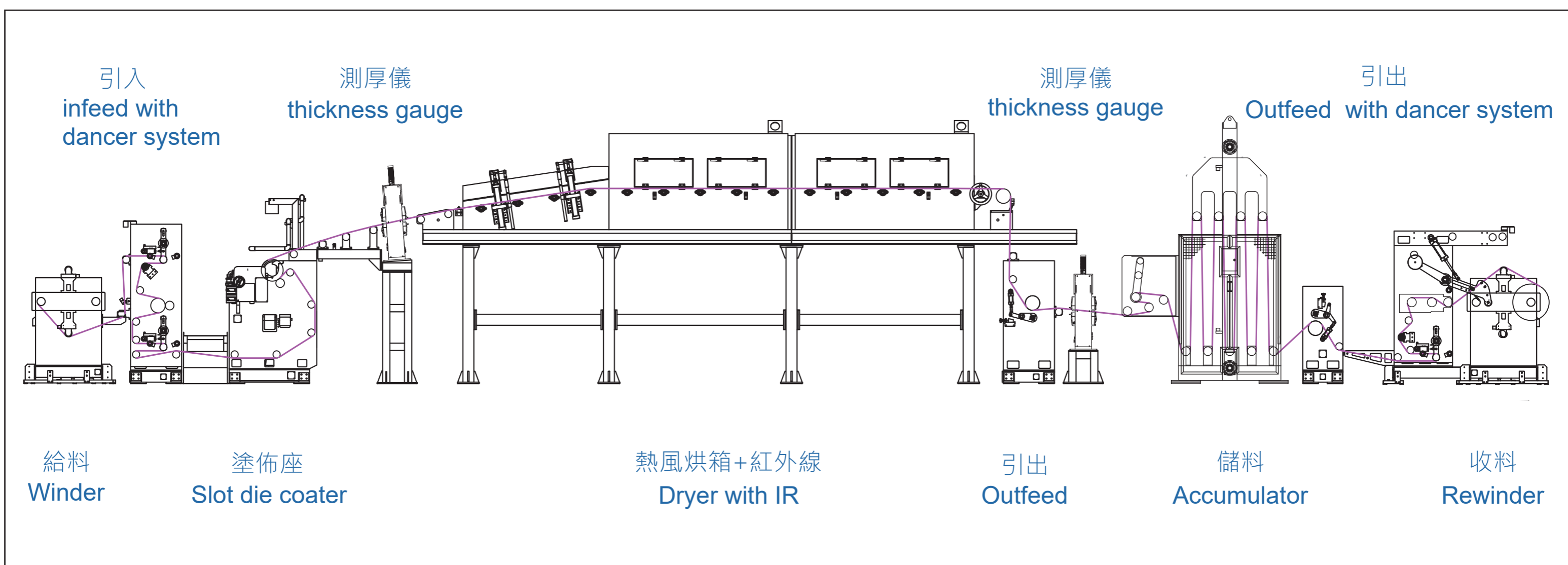
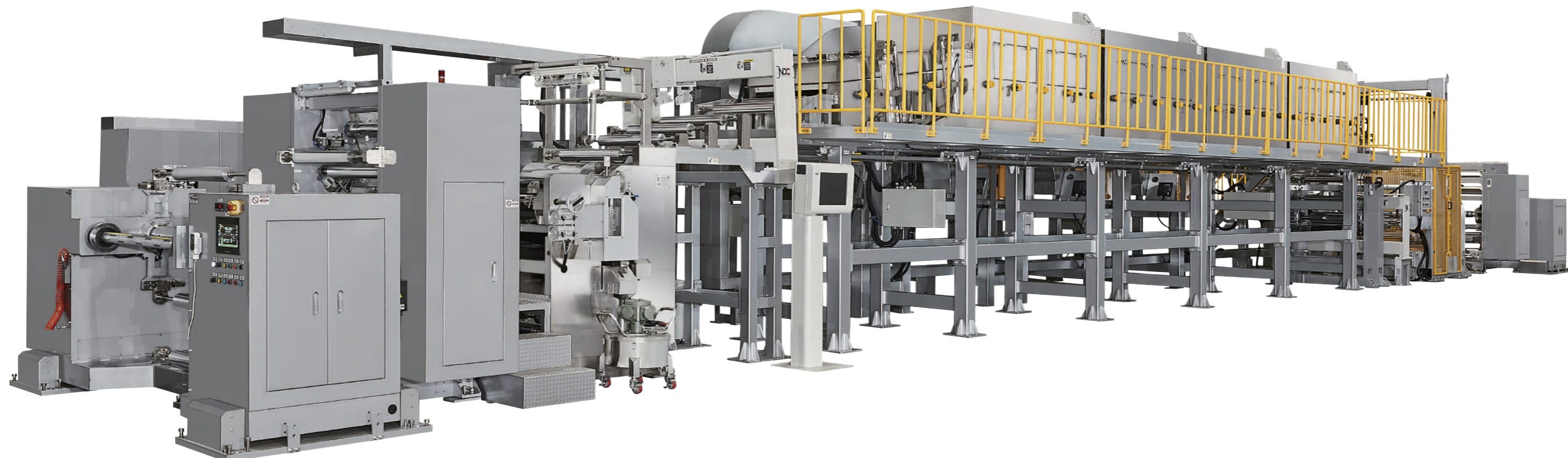


卷對卷塗佈機

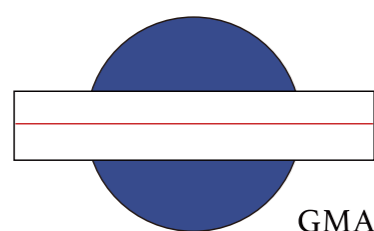
Roll to Roll Coating Machine

鋰電池塗佈產線

Lithium-Ion Battery Coating Line



- 有效塗佈範圍：600-1200mm
Useful coating width:600mm
- 線上測厚儀回饋搭配自動開口調整模具
Auto-die with in-line thickness gauge system
- 熱風乾燥搭配IR
Hot air dryer with IR
- 不停機A/B軸-自動切料放捲
Turret Type Unwinder / Auto-splicing with saw cutting
- 不停機A/B軸-自動切刀切料收捲
Turret Type Winder / Auto-splicing with traverse cutting



GMA 政鈺機械股份有限公司
GMA MACHINERY ENTERPRISE CO., LTD.



43547 台中市梧棲區永興路二段362巷28號 | No.28 Lane 362, Sec. 2, Yung Hsing Rd., Wu Chi Dist., Taichung

+886-4-26303228

info@gma.com.tw

+886-4-26303208

www.gmatw.com